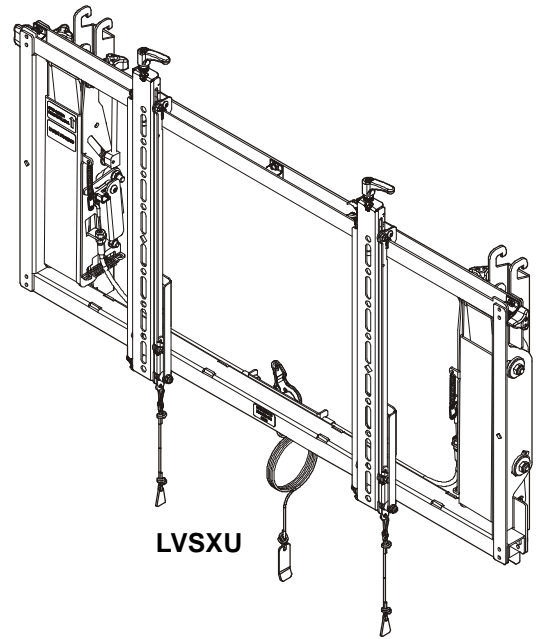
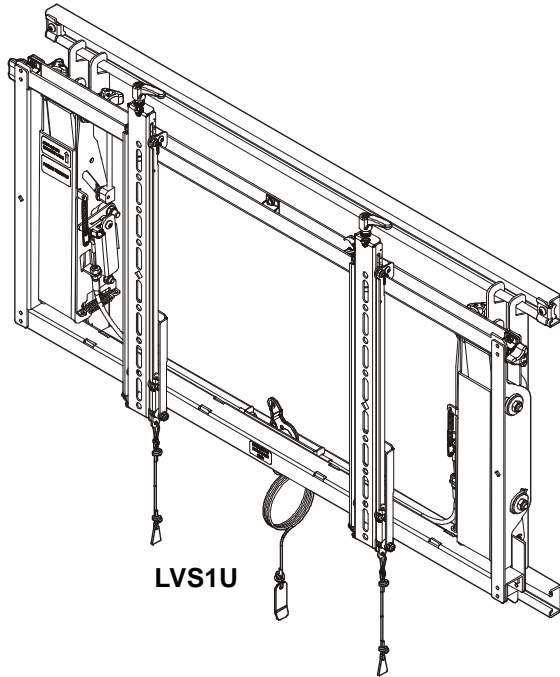

INSTALLATION INSTRUCTIONS



ConnexSys™ Video Wall Mounting System

DISCLAIMER

Milestone AV Technologies and its affiliated corporations and subsidiaries (collectively "Milestone"), intend to make this manual accurate and complete. However, Milestone makes no claim that the information contained herein covers all details, conditions or variations, nor does it provide for every possible contingency in connection with the installation or use of this product. The information contained in this document is subject to change without notice or obligation of any kind. Milestone makes no representation of warranty, expressed or implied, regarding the information contained herein. Milestone assumes no responsibility for accuracy, completeness or sufficiency of the information contained in this document.

Chief®, ConnexSys™, RapidDraw™, and PowerZone™ are trademarks of Milestone AV Technologies. All rights reserved.



IMPORTANT SAFETY INSTRUCTIONS



WARNING: A WARNING alerts you to the possibility of serious injury or death if you do not follow the instructions.



CAUTION: A CAUTION alerts you to the possibility of damage or destruction of equipment if you do not follow the corresponding instructions.



WARNING: Failure to read, thoroughly understand, and follow all instructions can result in serious personal injury, damage to equipment, or voiding of factory warranty! It is the installer's responsibility to make sure all components are properly assembled and installed using the instructions provided.



WARNING: Failure to provide adequate structural strength for this component can result in serious personal injury or damage to equipment! It is the installer's responsibility to make sure the structure to which this component is attached can support five times the combined weight of all equipment. Reinforce the structure as required before installing the component.



WARNING: Use this mounting system only for its intended use as described in these instructions. Do not use attachments not recommended by the manufacturer.



WARNING: Never operate this mounting system if it is damaged. Return the mounting system to a service center for examination and repair.



WARNING: Do not use this product outdoors.



WARNING: Exceeding the weight capacity can result in serious personal injury or damage to equipment! It is the installer's responsibility to make sure the combined weight of all components attached to the LVS1U/LV SXU does not exceed maximum weights listed in table below.

MODEL	Maximum Weight Allowed
LVS1U	150 lbs (68.0 kg)
LV SXU	150 lbs (68.0 kg)

IMPORTANT ! : The video wall system ships either with rails (LVS1U) or without (LV SXU). If you're installing a video wall of LV SXU mounts you will need to provide the strut channel for mounting to the wall. (See **LET'S GET STARTED! Measurements You'll Need** section for further information.)

IMPORTANT ! : The LVS1U/LV SXU is designed to be mounted to:

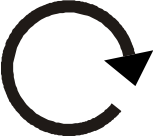











- a bare 8" thick solid concrete wall. Fasteners must be placed a minimum of 16" (406mm) and a maximum of 24" (610mm) apart **AND** within 9" (230mm) of each end of the rail/strut channel.
- a 5/8" minimum thickness plywood-backed, steel stud wall covered with drywall having a maximum thickness of 5/8". Fasteners must be placed a maximum of 8" (203mm) apart **AND** in last slots on each end of rail/strut channel.
- a 2" x 4" wood stud wall covered with drywall having a maximum thickness of 5/8". Fasteners must be placed a minimum of 16" (406mm) and a maximum of 24" (610mm) apart **AND** within 9" (230mm) of each end of the rail/strut channel.

--SAVE THESE INSTRUCTIONS--

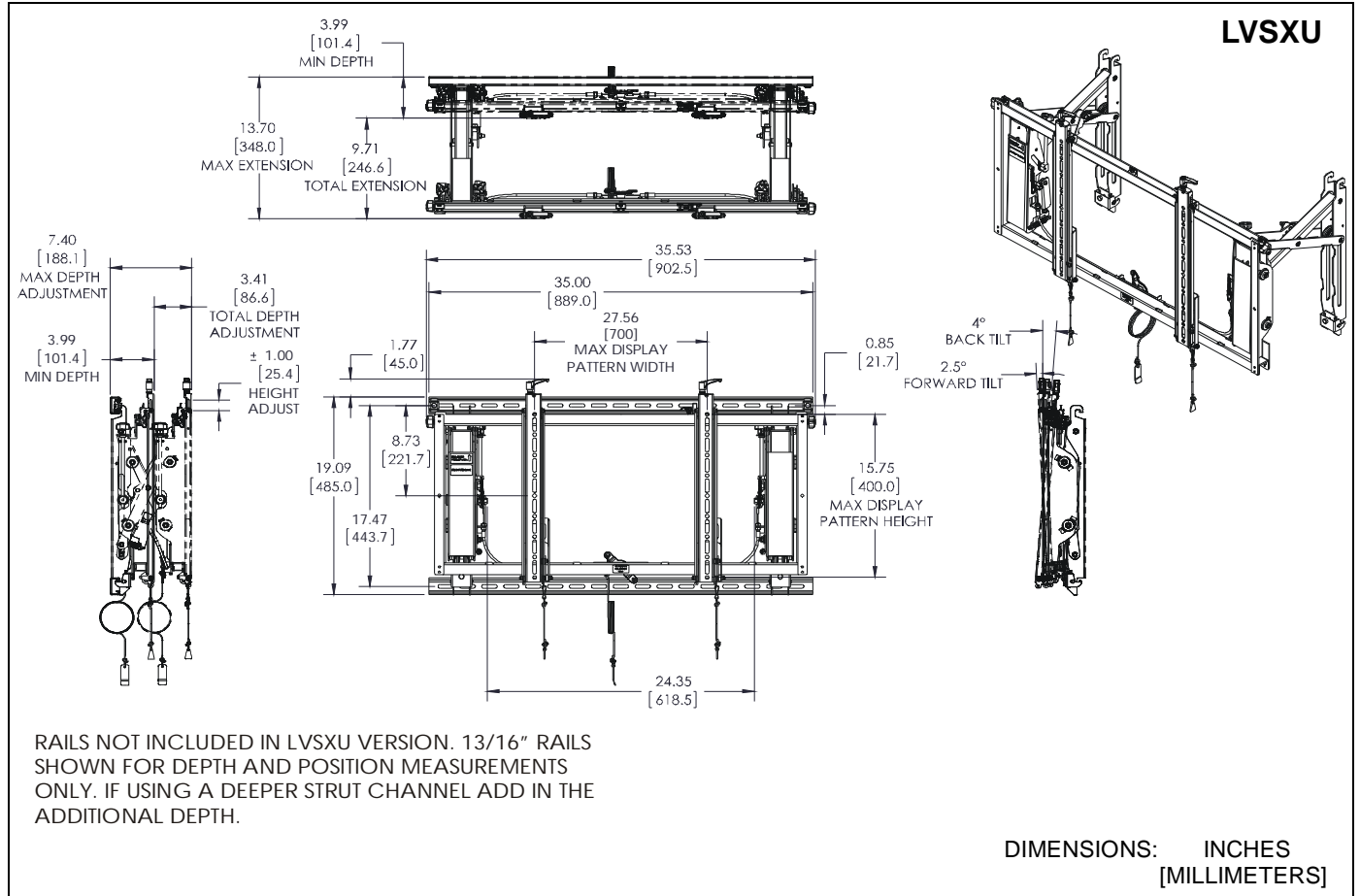
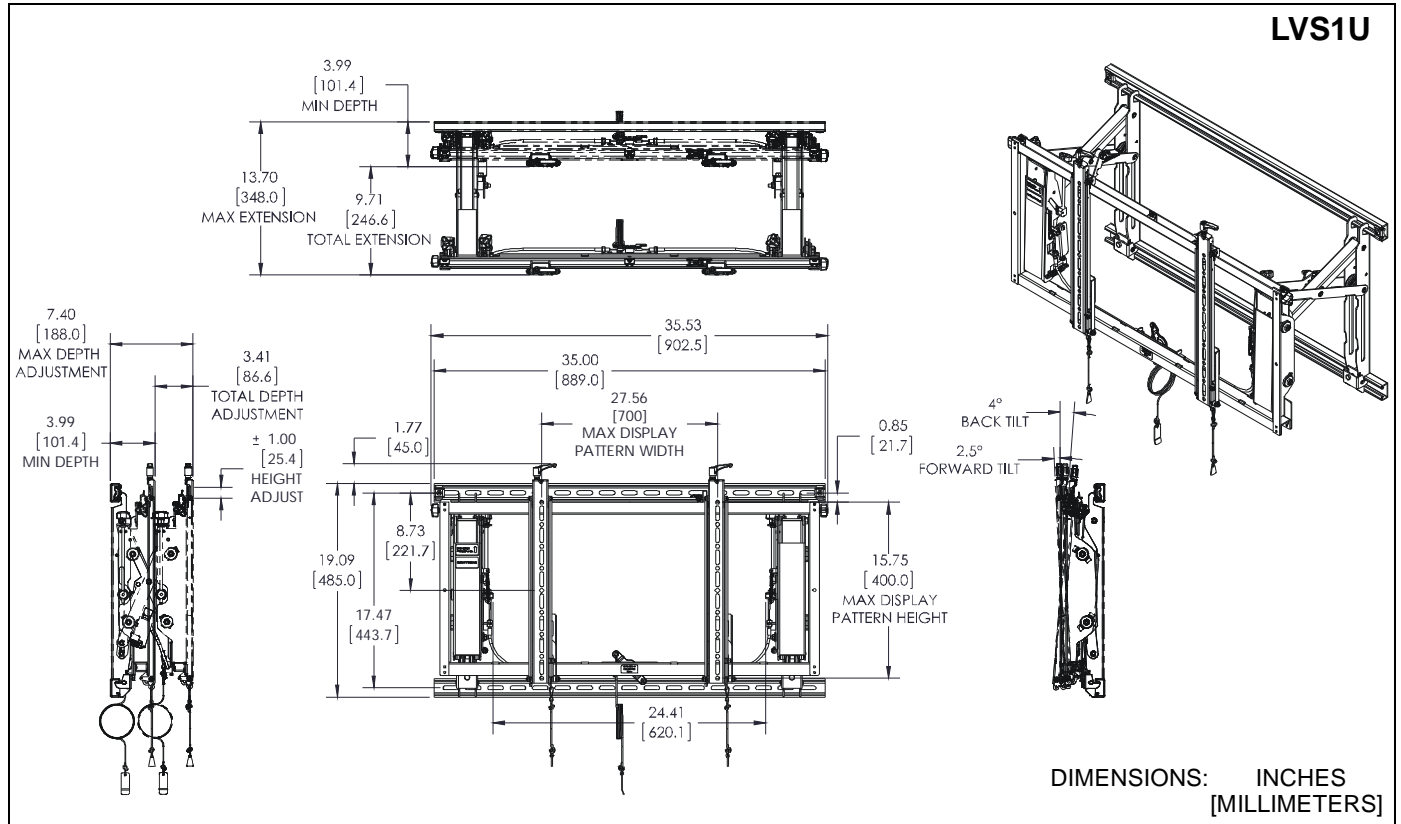
TABLE OF CONTENTS

IMPORTANT SAFETY INSTRUCTIONS	2
TABLE OF CONTENTS	3
LEGEND	4
DIMENSIONS	5
TOOLS REQUIRED FOR INSTALLATION	6
PARTS	6
LET'S GET STARTED! Measurements You'll Need	7
STRUT CHANNEL REQUIREMENTS (LV SXU)	8
MOUNTING PATTERN OFFSET CALCULATION	8
ATTACHING STRUT CHANNEL OR RAIL	9
HANGING LVS1U/LV SXU MOUNT ON RAIL/STRUT CHANNEL	10
Preparing Strut Channel (LV SXU only)	10
Hanging Mounts	10
INSTALLING INTERFACE BRACKETS	11
ADDING DISPLAYS TO MOUNTS	11
ADJUSTMENTS	12
COMPLETING THE INSTALLATION	14
Cable Management Clips	14
Security	14
FASTENER INSTALLATION METHODS	14
Wood Stud	14
Concrete	14
Plywood-Backed Steel Stud	15
SERVICE	16
Extending and Retracting Mount	16
Interface Bracket Kickstands	16
RapidDraw Display Release	16

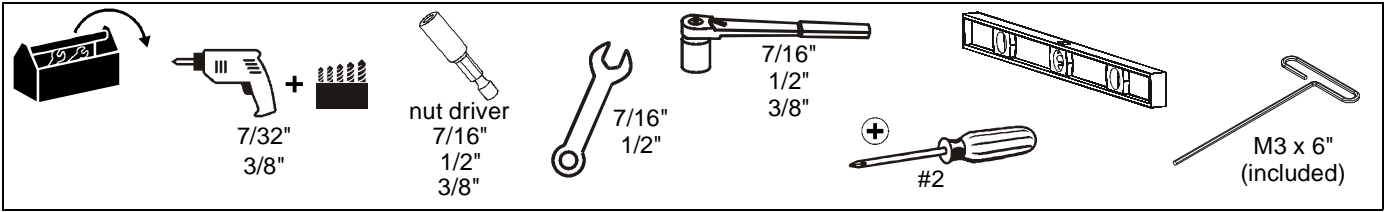
LEGEND

	Tighten Fastener Apretar elemento de fijación Befestigungsteil festziehen Apertar fixador Serrare il fissaggio Bevestiging vastdraaien Serrez les fixations		Pencil Mark Marcar con lápiz Stiftmarkierung Marcar com lápis Segno a matita Potloodmerkten Marquage au crayon
	Loosen Fastener Aflojar elemento de fijación Befestigungsteil lösen Desapertar fixador Allentare il fissaggio Bevestiging losdraaien Desserrez les fixations		Drill Hole Perforar Bohrloch Fazer furo Praticare un foro Gat boren Percez un trou
	Phillips Screwdriver Destornillador Phillips Kreuzschlitzschraubendreher Chave de fendas Phillips Cacciavite a stella Kruiskopschroevendraaier Tournevis à pointe cruciforme		Adjust Ajustar Einstellen Ajustar Regolare Afstellen Ajuster
	Open-Ended Wrench Llave de boca Gabelschlüssel Chave de bocas Chiave a punte aperte Steeksleutel Clé à fourche		Remove Quitar Entfernen Remover Rimuovere Verwijderen Retirez
	By Hand A mano Von Hand Com a mão A mano Met de hand À la main		Optional Opcional Optional Opcional Opzionale Optie En option
	Hex-Head Wrench Llave de cabeza hexagonal Sechskantschlüssel Chave de cabeça sextavada Chiave esagonale Zeskantsleutel Clé à tête hexagonale		Security Wrench Llave de seguridad Sicherheitsschlüssel Chave de segurança Chiave di sicurezza Veiligheidsleutel Clé de sécurité

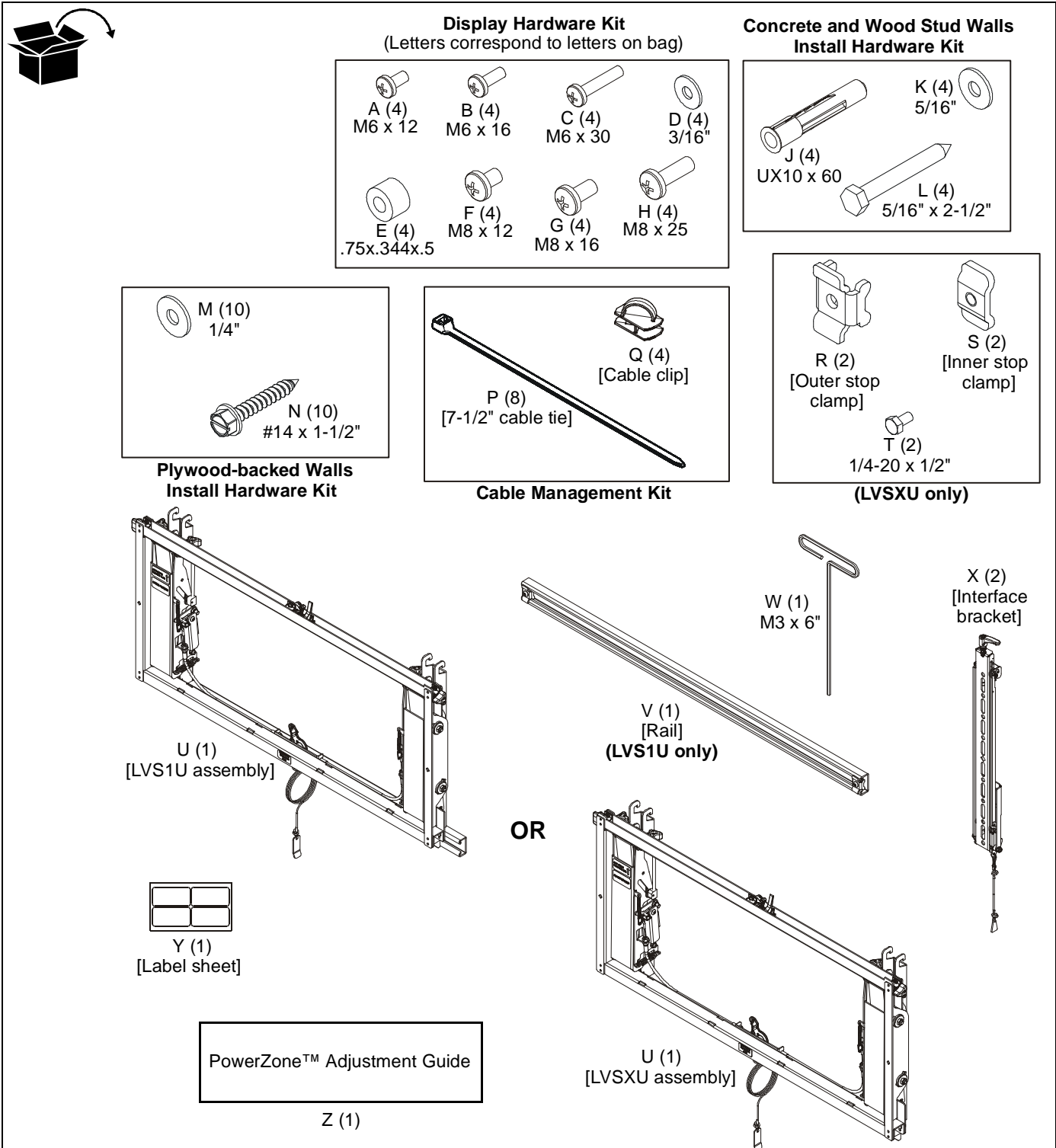
DIMENSIONS



TOOLS REQUIRED FOR INSTALLATION



PARTS



LET'S GET STARTED! Measurements You'll Need

Description	Measurement
A - Number of displays in each row	
B - Number of displays in each column	
C - Width of individual display	
D - Height of individual display	
E - Total width - (A) x (C)	
F - Floor to bottom of display (bottom row) OR Ceiling to top of display (top row)	
G - 1/2 height of display (D) / 2	
H - Display mounting pattern offset. (Only applies to some displays. Calculation instructions on next page.)	
I - Strut channel length* (E) - 4" (102mm) (LV SXU only)	
J - Number of strut channel lengths (B) x 2 (LV SXU only)	

* Check with your local strut channel dealer to determine the lengths available. You may need to buy multiple pieces or cut longer pieces down to size.

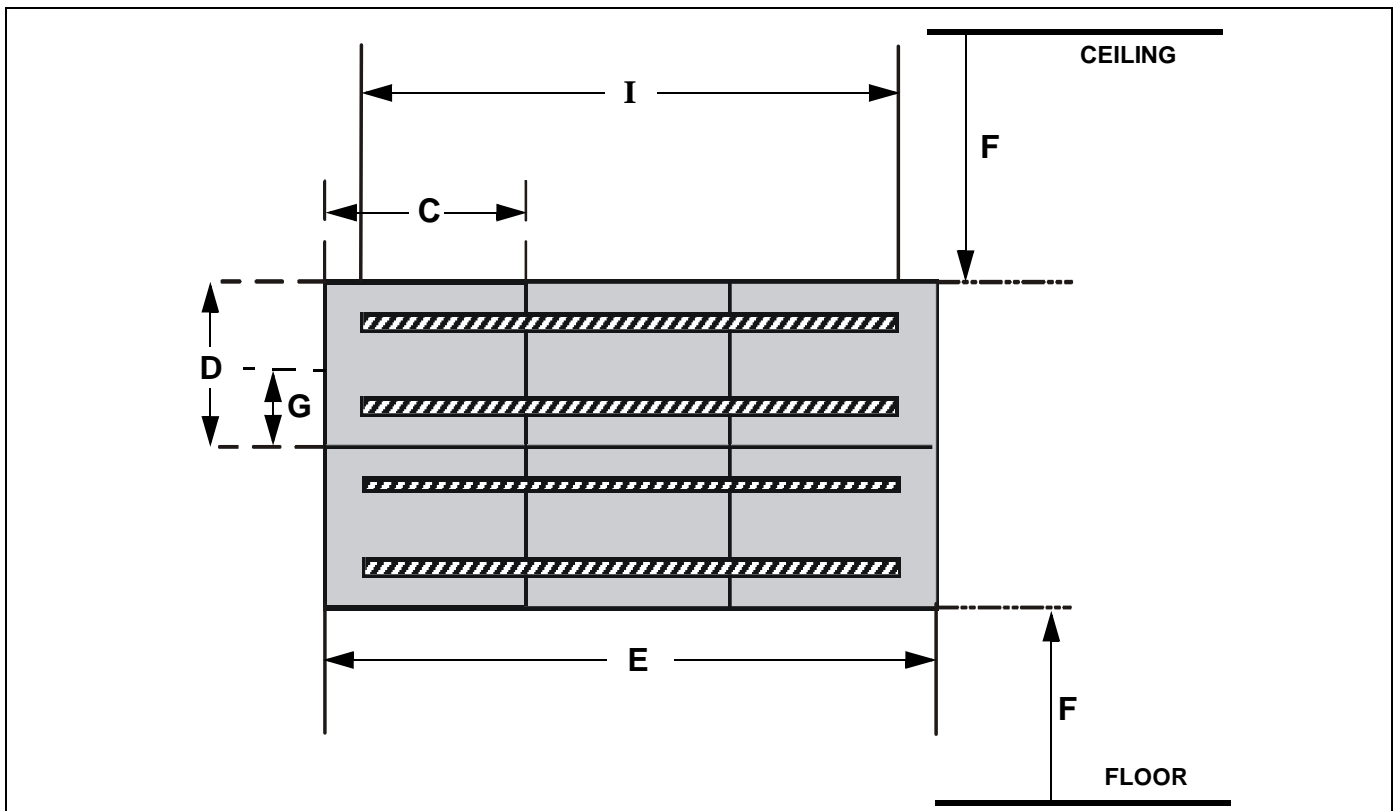


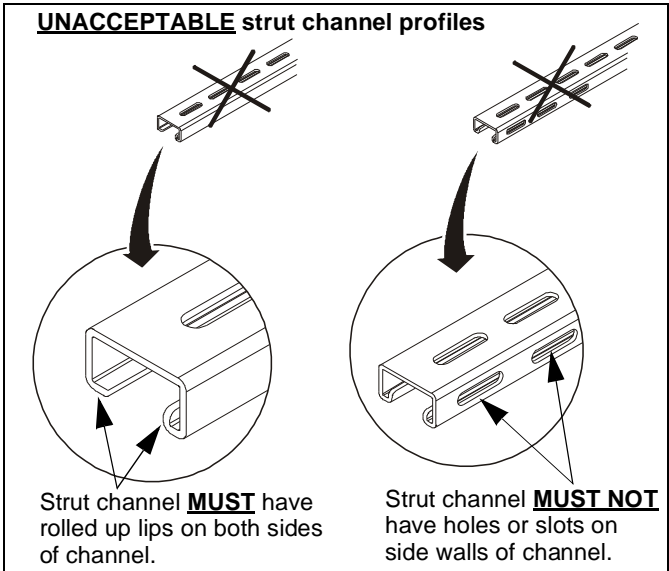
Figure 1

STRUT CHANNEL REQUIREMENTS (LV SXU)

IMPORTANT ! : Strut channel **must** be made of steel with a minimum yield strength of 33ksi (230MPa), and meeting the profile and dimension requirements outlined.

Table 1: Strut Channel Dimension Requirements

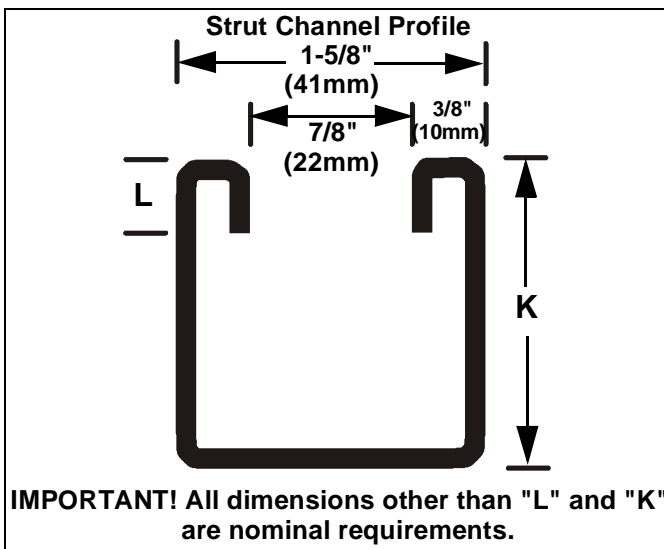
STEEL THICKNESS	DIMENSION (See Figure 2)
14 ga [0.075"] (2.5mm)	$K = 13/16" (21mm)$
12 ga [0.104"] (3mm)	$13/16" (21mm) \leq K \leq 3-1/4" (83mm)$
14 ga or 12 ga	L (minimum) = 1/4" (6mm) L (maximum) = 9/32" (7mm)



Strut channel **MUST** have rolled up lips on both sides of channel.

Strut channel **MUST NOT** have holes or slots on side walls of channel.

Figure 3



IMPORTANT! All dimensions other than "L" and "K" are nominal requirements.

Figure 2

MOUNTING PATTERN OFFSET CALCULATION

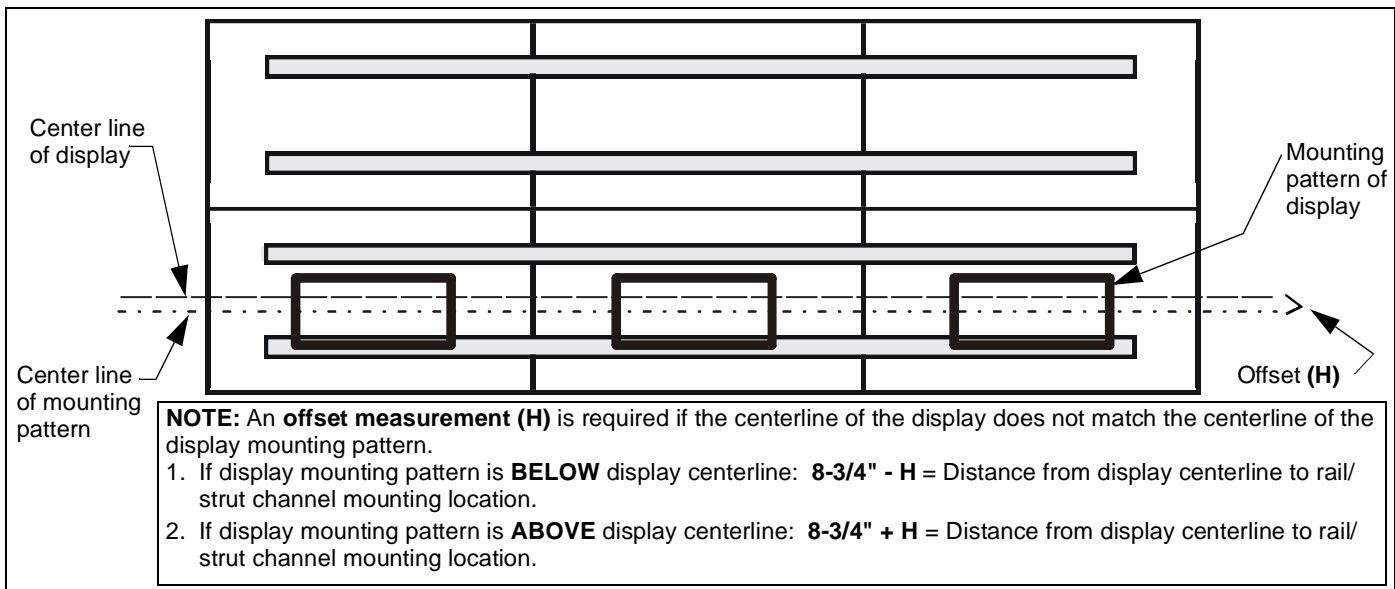


Figure 4

ATTACHING STRUT CHANNEL OR RAIL

IMPORTANT ! : Reference measurements noted on page 7.

1. Mark distance **(F)** from floor to desired location for **bottom** of display **OR** from ceiling to desired location for **top** of display (if installing top row first). (See Figure 1) and (See Figure 5)
2. Mark distance **(G)** from bottom of display (or top of display) to center line of display. (See Figure 1) and (See Figure 5)
3. Measure up 8-3/4" (222mm) from centerline of display and mark location for top strut channel/rail attachment.

NOTE: If an offset measurement **(H)** is needed (See Figure 4):

- If display mounting pattern is **BELOW** display centerline, measure up: **8-3/4" (222mm) - H**
- If display mounting pattern is **ABOVE** display centerline, measure up: **8-3/4" (222mm) + H**

4. Level and attach strut channel/rail (V) using the provided hardware. See **Parts** drawing, (See Figure 5) and (See Table 2).
5. Mark distance **(D)** (up or down) from first strut channel/rail slots and mark location of next row of strut channel/rail.
6. Repeat for remaining rows of strut channels/rails.
7. **(LVSXU only)** Proceed to **Hanging LVS1U/LVSXU Mount On Rail/Strut Channel** section.
8. **(LVS1U only)** Measure over **(C)** (width of display) from center of first installed rail, level and mark location of adjacent rail. (See Figure 1) and (See Figure 5)
9. Repeat Step 8 for remaining rails in that row.

10. Attach upper rails (V) using **Fastener Information**. (See Table 2)
11. Measure up from attached rails the distance **(D)** and mark for next row of rails (V). (See Figure 1) and (See Figure 5)
12. Repeat Steps 4 - 10 for that row of rails.
13. Repeat Step 11 for any remaining rows of rails (V).

IMPORTANT ! : See **Fastener Installation Methods** section at end of Installation Instructions for details on installing product into various wall types.

Table 2: Fastener Information

WALL TYPE	PILOT HOLE	FASTENERS (see PARTS drawing)
Drywall attached to plywood-backed walls /Steel studs	N/A	#14 x 1-1/2" hex slot head screw (N) & 1/4" washer (M) . Fasteners placed a maximum of 8" (203mm) apart AND in last slots on each end of rail/strut channel.
Wood stud (2" x 4")	7/32" x 3"	5/16 x 2-1/2" hex head lag (L) & 5/16" washer (K) . Fasteners placed at stud locations, min. 16" (400mm) and max. 24" (610mm) AND within 9" (230mm) of each end of the rail/strut channel.
Concrete	3/8" x 3"	5/16 x 2-1/2" hex head lag (L) & Fischer UX10x60 anchor (J) . Fasteners placed a min. 16" (400mm) and max. 24" (610mm) apart AND within 9" (230mm) of each end of the rail/strut channel.

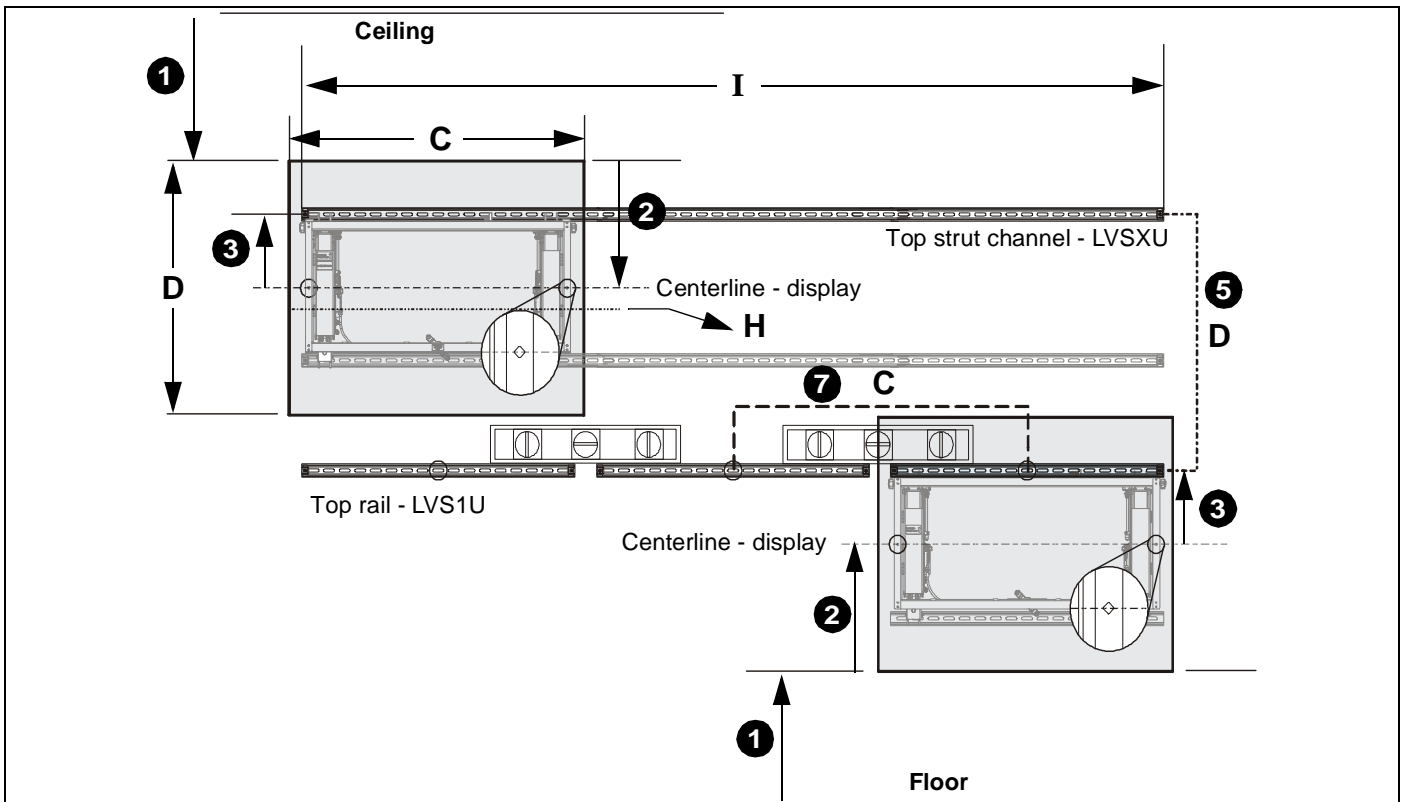


Figure 5

HANGING LVS1U/LVSXU MOUNT ON RAIL/STRUT CHANNEL

Preparing Strut Channel (LVSXU only)

1. On the top rail, slide one inner stop clamp (S) into end of strut channel section. (See Figure 6)
2. Fasten outer stop clamp (R) to inner stop clamp (S) using one 1/4-20 x 1/2" hex head screw (T). (See Figure 6)
3. Repeat for each end of each top section of strut channel.

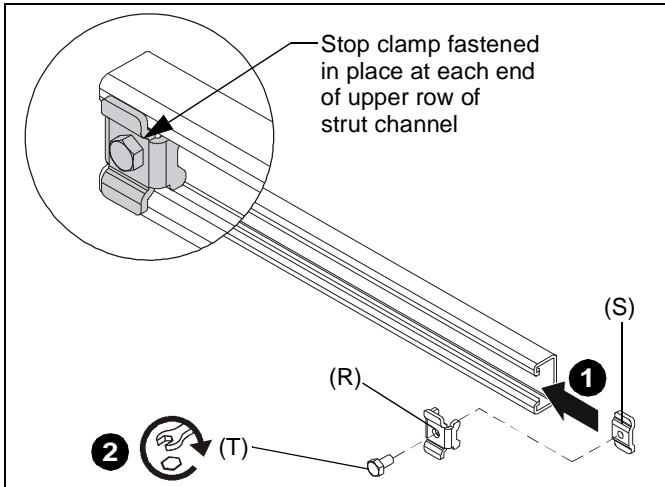


Figure 6

Hanging Mounts

1. Lift mount and hang it on lower lip of upper strut channel or rail (V). (See Figure 7)

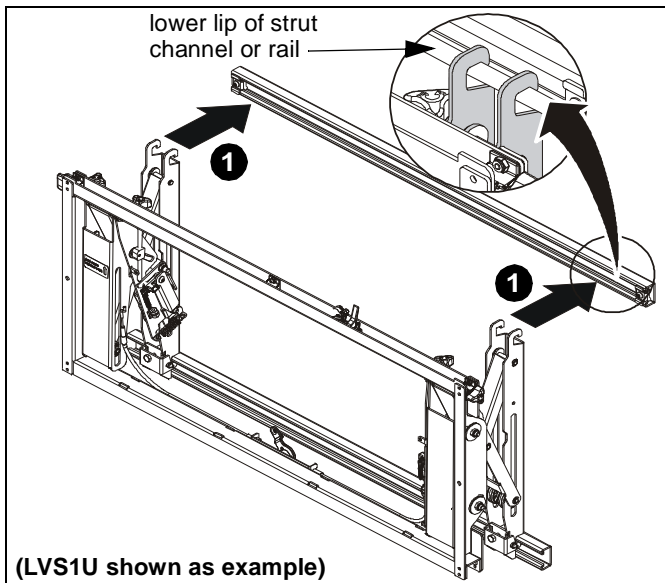


Figure 7

2. Repeat for remaining mounts in that row, and slide mounts along rails/strut channels to desired location.
3. **LVSXU only:** Add lower strut channel to bottom of all mounts in row by lifting strut channel up from below mounts and setting upper lip of strut channel onto mounts' latching hooks. (See Figure 8)

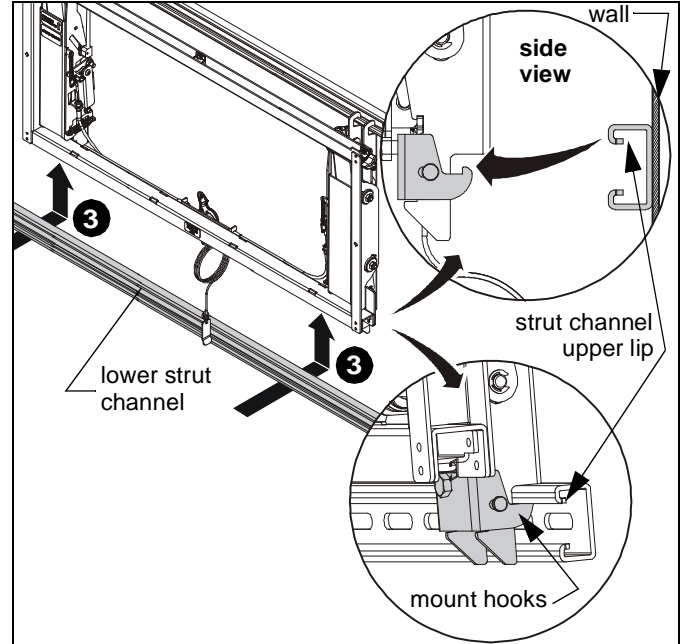


Figure 8

4. Tighten two hex head fasteners at bottom of each mount. (See Figure 8)

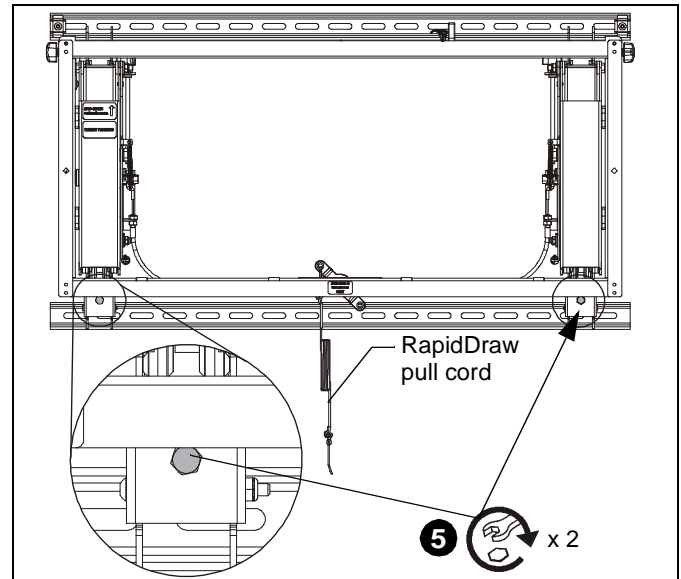


Figure 9

5. Fasten bottom rail (LVS1U) or lower strut channel (LVSXU) to wall using the provided hardware. See **Parts** drawing, and (See Table 2).
6. Extend RapidDraw pull cord to bottom row of displays so that it is accessible, re-tie to correct length and label the pull cord using label (Y) so that it is identifiable. (See Figure 9)

IMPORTANT ! : See **Service** section for more information on properly configuring the RapidDraw cord and display release.

7. Repeat **Attaching Strut Channel or Rail** and **Hanging LVS1U/LVSXU Mount On Rail/Strut Channel** sections for each row of displays.

INSTALLING INTERFACE BRACKETS

1. Place displays face down on a soft, non-abrasive surface.



CAUTION: Using screws of improper diameter may damage your display! Proper screws will easily thread into display mounting holes.

2. Select screw *diameter* by examining hardware (A-C and F-H) (6mm or 8mm) and comparing with mounting holes on display. (See Figure 10)
3. Select spacers:
 - Spacers are **NOT** required if mounting holes are not recessed and interface brackets (X) can lay flat against display.
 - Spacers (E) **ARE** required if mounting holes are recessed, or if protrusions prevent interface brackets (X) from laying flat.



CAUTION: Using screws of improper length may damage your display! Proper screws will have adequate thread engagement without contacting bottom of display mounting holes.

4. Select screw *length*: (See Figure 10)
 - By hand, insert **SHORTEST** length screw of selected diameter (A or F) through 3/16" washer (D, if using screw A), bracket (X), selected spacer (E, if required), into display mounting hole. Do NOT thread screw into hole at this time.
 - Proper screw length requires base of screw head to protrude above flat washer (if flat washer is used) a *distance equal to or greater than the screw diameter*. If screw length is inadequate, select longer screw. Select *shortest* screw which will protrude the required distance.

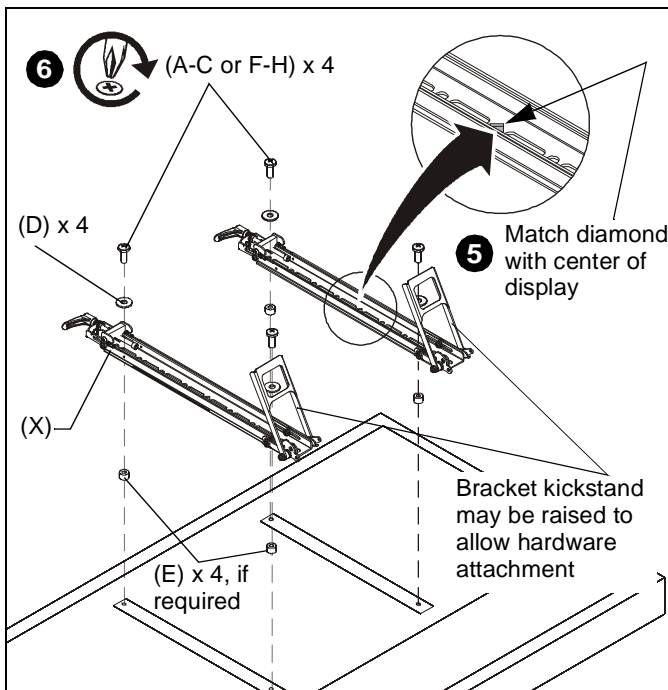


Figure 10

5. Make sure diamond on interface brackets is even with center of display. (See Figure 10)
6. Use selected screws (A-C or F-H), washers (D, if using screws A, B or C) and spacers (E), if necessary, to connect interface brackets (X) to back of display. (See Figure 10)

ADDING DISPLAYS TO MOUNTS

1. Raise display with attached interface brackets and hook top of brackets into top of mount. (See Figure 11)
2. Slowly bring bottom of display in towards mount until it clicks into place.
3. Repeat Steps 1 and 2 for remaining mounts in that row.

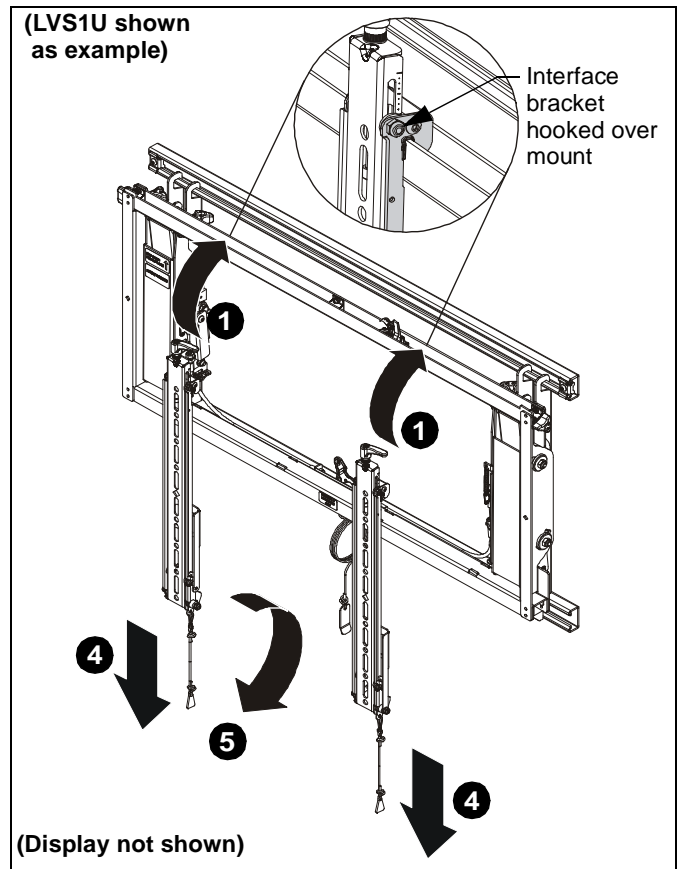


Figure 11

4. The displays can be easily removed by pulling both interface bracket cords down. (See Figure 11)
5. Pull the bottom of the display out.
6. Lift up display to lift hooks off the mount.

ADJUSTMENTS

NOTE: The following steps are also referenced on the next page (See Figure 16) and the PowerZone Adjustment guide (Z).

1. Place the level against the front of the display and use knob (#1 in Figure 16) to straighten the tilt. (See Figure 12)

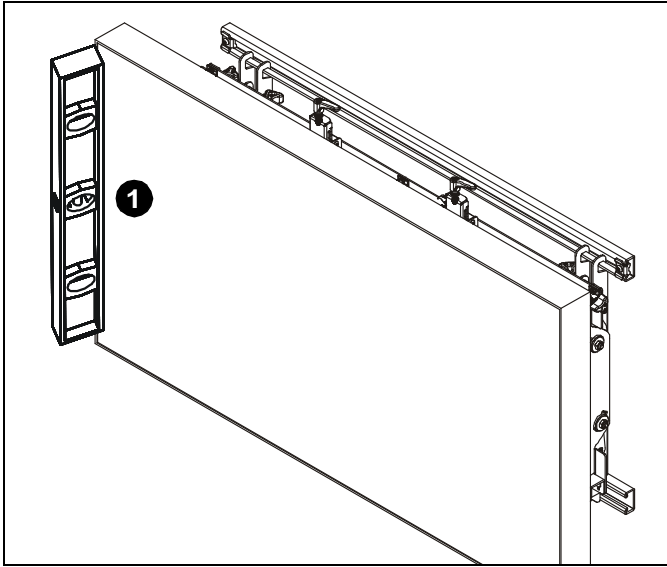


Figure 12

2. Place a level on top of display and use the knobs at the top of the interface brackets (#2 in Figure 16), to raise/lower each side of display and level the display. (See Figure 13) and (See Figure 16)

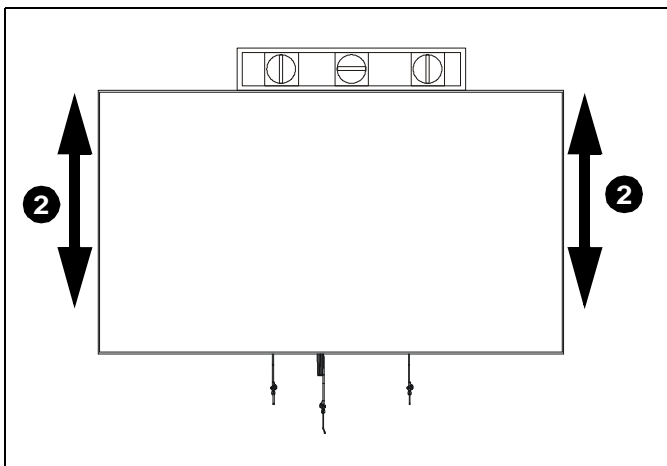


Figure 13

3. Place level across face of adjoining screens and adjust depth (#3 in Figure 16) to make displays flush across the front of the video wall. (See Figure 14) and (See Figure 16)

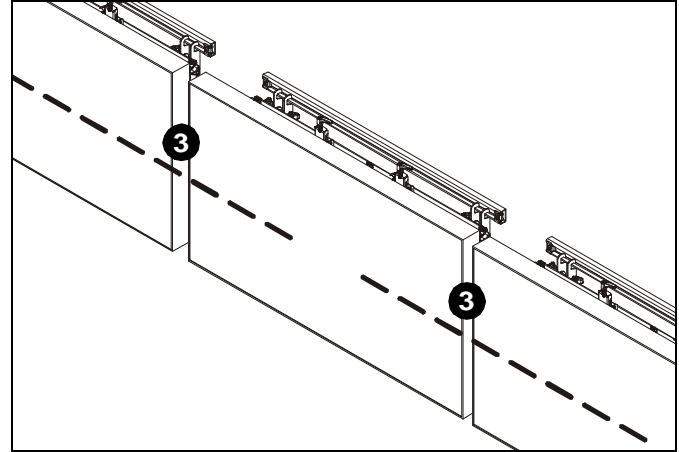


Figure 14

4. Slide latch mechanism until tab sits flush against the interface bracket.
5. Pull tab forward to lock latch mechanism to interface bracket. (See Figure 15)
6. Push latch down to engage the micro lateral adjustment knobs (#4B and #4C). (See Figure 15) and (See Figure 16)
7. Turn micro lateral adjustment knobs clockwise to move display toward knob end until displays are in correct position. (See Figure 16)

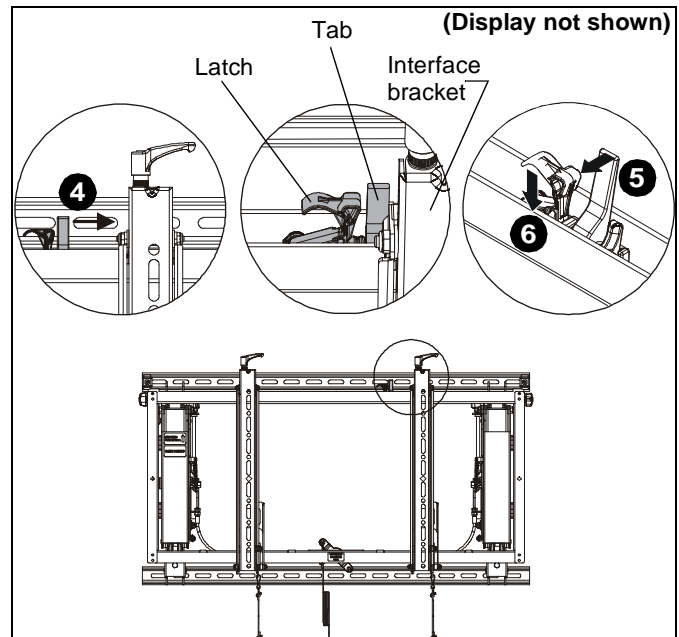


Figure 15

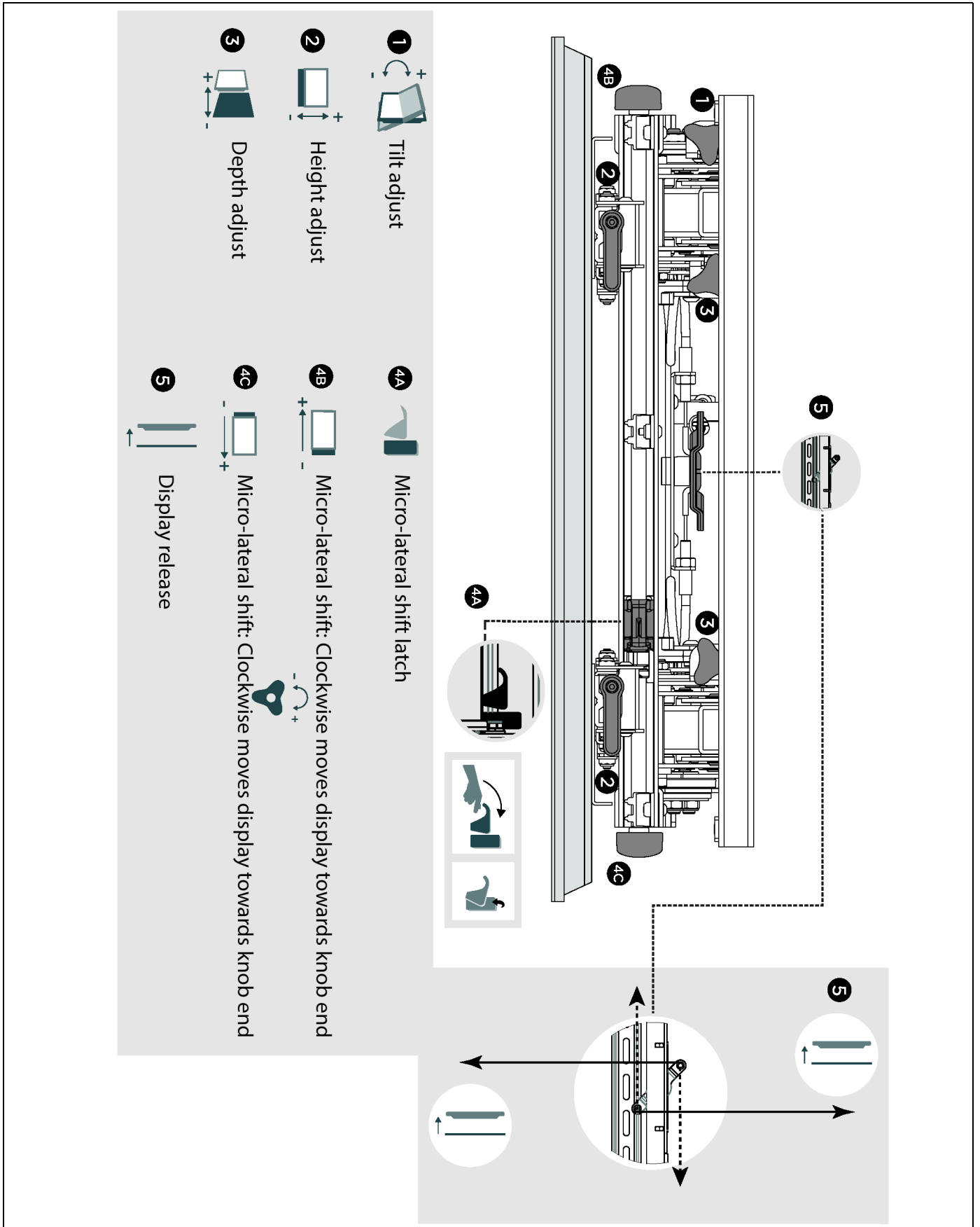


Figure 16

COMPLETING THE INSTALLATION

Cable Management Clips

1. Place cable clip (Q) into rail/strut channel and turn 90° in either direction until cable clip is vertical. (See Figure 17)
2. Route cables and RapidDraw release cords along rails/strut channels, through cable clips.
3. Fasten cables and cords to cable clips (Q) using cable ties (P).

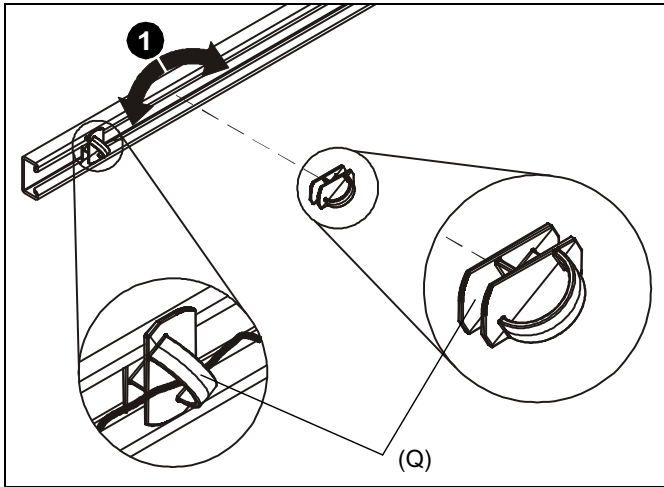


Figure 17

Security

The displays may be secured to the mounts by using a padlock (not included) through the bottom of the interface brackets. (See Figure 18)

NOTE: Padlock must have a 1/4" (6mm) shackle diameter.

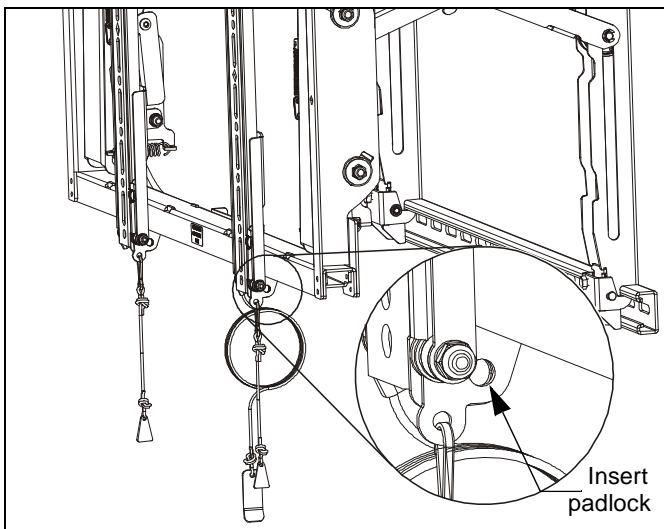


Figure 18

FASTENER INSTALLATION METHODS

IMPORTANT ! : (See Table 2) for appropriate hardware and pilot hole sizes for various wall types.

Wood Stud

1. Use one 5/16" x 2-1/2" lag bolt (L) through product and into pilot hole. (See Figure 19)
2. Repeat for remaining pilot holes.

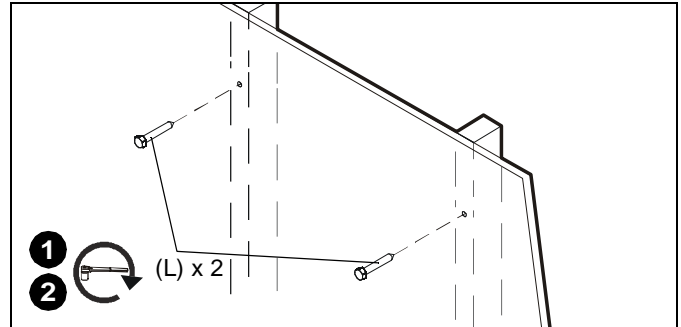


Figure 19

Concrete

1. Install one UX10 x 60 anchor (J) into each pilot hole using a hammer, making sure that the anchor is flush with the wall. (See Figure 20)
2. Use one 5/16" x 2-1/2" lag bolt (L) through product into each anchor in wall.

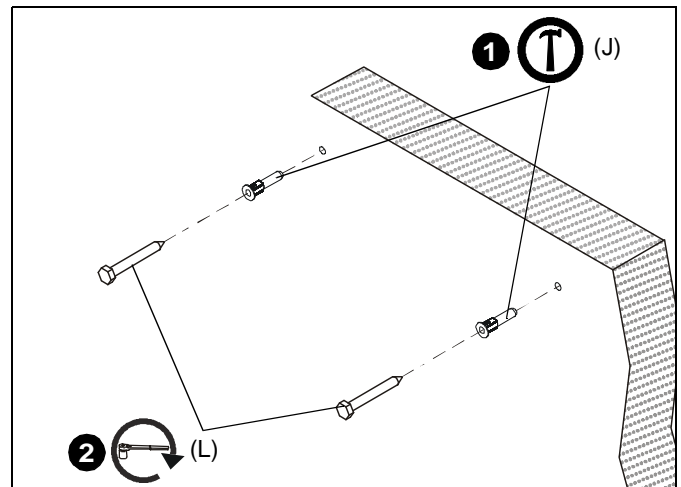


Figure 20

Plywood-Backed Steel Stud

1. Use one #14 x 1-1/2" hex-head washer slot head screw (N) and one 1/4" washer (M) through strut channel or rail. (See Figure 21)

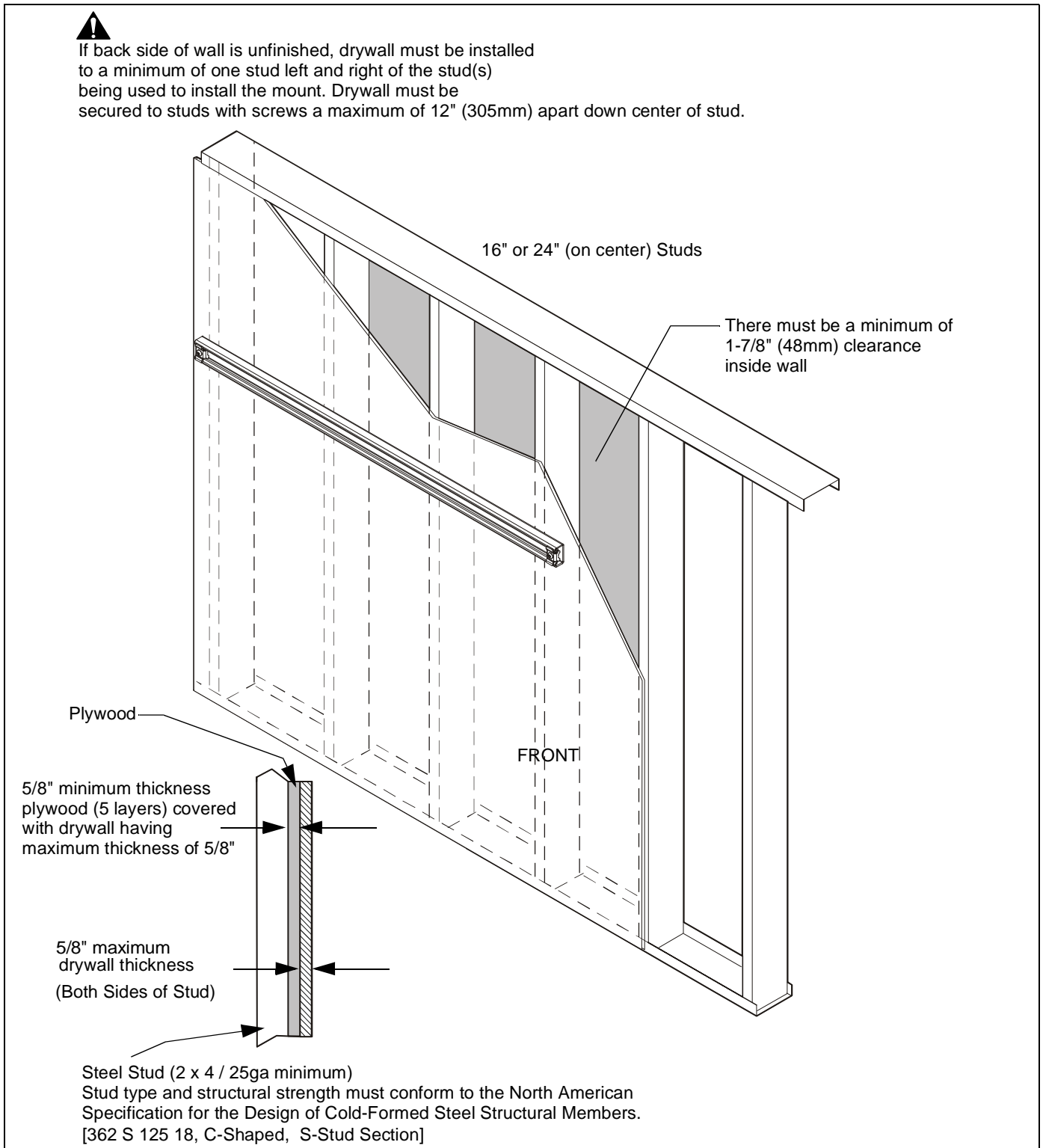


Figure 21

SERVICE

Extending and Retracting Mount

The mounts may be extended and retracted **only** in a service situation.

1. **To Extend Mount:** Pull on the RapidDraw release cord designated for the specific mount.
2. When the mount releases, carefully grasp bezel edges of display and pull out slowly, being careful to clear surrounding displays.
3. **To Retract Mount:** Carefully push against display bezel edges, being careful to clear surrounding displays.
4. Push display against mount until it clicks into place.

Interface Bracket Kickstands

The interface brackets are equipped with kickstands which must **only** be used in a service situation.

1. Pull down on interface bracket release cords. (See Figure 22)
2. Pull out bottom of display.
3. Flip down the kickstands on both interface brackets, and prop against mount during service.

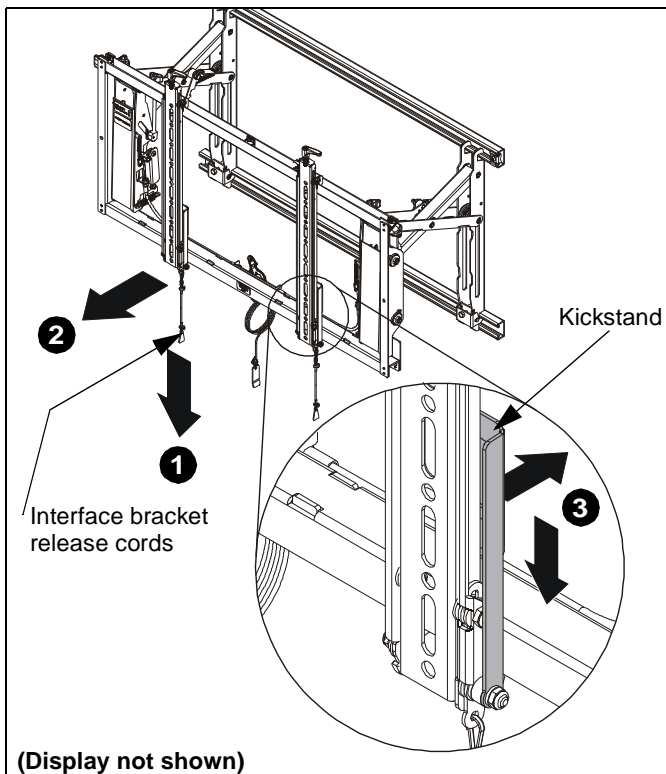


Figure 22

4. After service, hold display while flipping up both kickstands.
5. Slowly bring bottom of display in towards mount until it clicks into place.

RapidDraw Display Release

The RapidDraw pull cord and display release allows easy service access to any specific display in the video wall.

Each mount ships with the pull cord installed. It is installed so that when pulled from **below** the mount or from the **right** of the mount it will release the display for service.

The following steps should be taken if an installation requires that the pull cord be accessible from the **left** of the display or **above** the display:

1. Unhook the pull cord from the mount. (See Figure 23)
2. Reinstall the pull cord in the opposite hole on the mount. (See Figure 23)

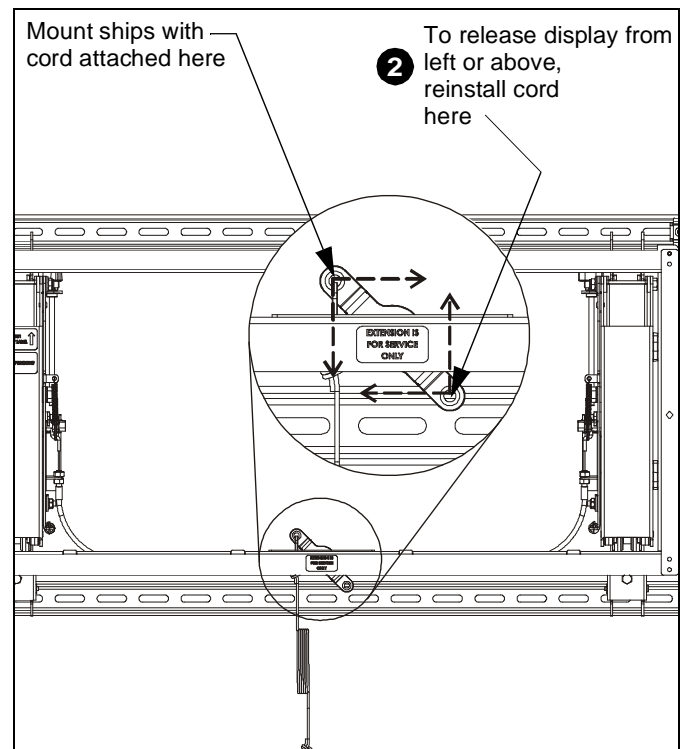


Figure 23



Our Mounts. **Your Vision.**

Chief, a products division of
Milestone AV Technologies

8800-002633 Rev00
©2014 Milestone AV Technologies
www.chiefmfg.com
07/14

USA/International	A 6436 City West Parkway, Eden Prairie, MN 55344
	P 800.582.6480 / 952.225.6000
	F 877.894.6918 / 952.894.6918
Europe	A Franklinstraat 14, 6003 DK Weert, Netherlands
	P +31 (0) 495 580 852
	F +31 (0) 495 580 845
Asia Pacific	A Office No. 918 on 9/F, Shatin Galleria 18-24 Shan Mei Street Fotan, Shatin, Hong Kong
	P 852 2145 4099
	F 852 2145 4477

